

# International Institute of Security & Safety Management



*Let's professionalize the professionals...*



## Newsletter of NCR Chapter : March 2006

### Why we started, what we started?

We are sure that you have noticed motto of NCR Chapter of IISSM which is, ***“Let’s professionalize the professionals...”*** We in the NCR Chapter mean every word of it, and, in this direction have taken few effective steps.

For spreading the awareness and professionalism, we have expressed our commitment to provide full support to IISSM Head Quarters for conducting training courses on professional certification for CSP (**Certified Security & Safety Professional**) and CSC (**Certified Security & Safety Manager**). There will be four such courses conducted in Delhi to cater to large demand of the security personnel in and around Delhi. Our immediate is on the training course on Professional Certification being conducted from 19-22 April 2006.

We have taken yet another initiative of increasing the knowledge of all the stake holders of the chapter i.e. the security professionals, service providers and the solution providers by circulating the Quarterly newsletter. The newsletter will have knowledge based contents related to industrial security and safety management, the technology application and training related information.

The present one being the first of such endeavor needs readers encouragement and suggestion for improvement. All our readers and the esteemed members of the IISSM NCR Chapter are requested to kindly not only patronize and encourage our efforts, but, also send their articles so that the whole fraternity is benefited by them. Presently this will be circulated for times in a year on quarterly basis, but based on the response generated, we can make it monthly.

This news letter contains articles –

- Growing requirement of security gadgets in India: how to enter the field
- Understand CCTV better: benefits of DVR
- Gadgets corner
- To wear or not to wear – that is not the question: use of helmets

\*\*\*

# **GROWING REQUIREMENT OF SECURITY GADGETS IN INDIA: HOW TO ENTER THE FIELD**

It is realized that many international manufactures and distributors of international repute failed where small timers were successful in procuring the order. Though this fact is initially perplexing, it is realized after careful study that reasons for the failure were -

- Inability to contact potential buyer,
- Lack of knowledge of procurement procedure in India,
- Products incompatibility in Indian climate, and,
- No after sale support

The Original Equipment Manufacturers (OEM) need to be appraised about the opening opportunities of business in India. The manufacturers and distributors of the security gadgets need to have overview of the quantum of business, and, to familiarize about the procedures and formalities relating to procurement of such items.

## **DEVELOPING SENCE OF INSECURITY IN INDIA**

The ruthless ambitious nature of the human being shall continue to harness unhealthy competition. This shall result in personal aggrandizement of wealth in the hands of the few, conversely poverty shall increase, and so shall the numbers that shall be afflicted by it.

The ruthless ambitious nature of the human being shall continue to harness unhealthy competition. This shall result in personal aggrandizement of wealth in the hands of the few, conversely poverty shall increase, and so shall the numbers that shall be afflicted by it.

All the deteriorating conditions shall have multiplier adverse effect on the security of our society, as also the Corporate and Industry.

That the rate of crime shall definitely continue to rise should be the foregone deduction of the conditions prevailing in our society. Because....

**Pearl S Buck, in 'The Good Earth' stated that, 'when the rich get too rich, the poor shall not sit back but react to correct the imbalance',**

## **NEED FOR SECURITY GADGETS IN INDIA**

The prevailing conditions in India have focused every body's attention to the security measures in the industry, which started taking appropriate measures in this regard. The concerted and tangible attempts by the industries have been visible since last three decades a far as security manpower is concerned. Introduction of technical gadgets is hardly a decade old phenomenon.

Three developments are taking place in India

- Opening-up of economy
- Development of Information technology
- Realization that India can, and, will be a major power in the world, and, efforts of Industries to get ready for it.

As a result 'Industrial Security' has gained importance and it is being treated as profit making activity.

## LARGEST INDUSTRIAL SECURITY FORCE IN THE WORLD

Government of India has established a central Para-military force called Central Industrial Security Force (CISF), which is the only Government run Industrial security force in the world with approximately 1 million. As it is Central Police Organization, it is also the largest police force in the world. Its professional security personnel are deployed in 256 industries and 16 airports. Its main efforts are to reduce the manpower by installing the security gadgets. Thus it is also the single largest specifier and end-user of the security gadgets.

Public Sector Undertakings (PSUs) totaling up to more than 600 in number, is the second most security conscious sector, which also lays great emphasis to keep security unobtrusive and cost effective by installing the security gadgets. Thus this segment is 'The Largest' procurer of the security gadgets. CISF instead of procuring directly, gets it done through the PSU / organization where its security force is deployed.

## ONE OF LARGEST PROCURER OF SECURITY GADGETS IN THE WORLD

As brought out above, Central Industrial Security Force (CISF) is the single largest specifier and end-user of the security gadgets and Public Sector Undertakings (PSUs) is 'The Largest' procurer of the security gadgets. In addition, there are more than 500 large scale industries having their own security set-up and have started installing security gadgets.

## DOMESTIC MANUFACTURES OF SECURITY GADGETS

Indian Security Gadget Industry itself is in nascent form and is generally assembling the imported items. The 'State-of-the-Art' high-tech security gadgets are not being manufactured in India.

---

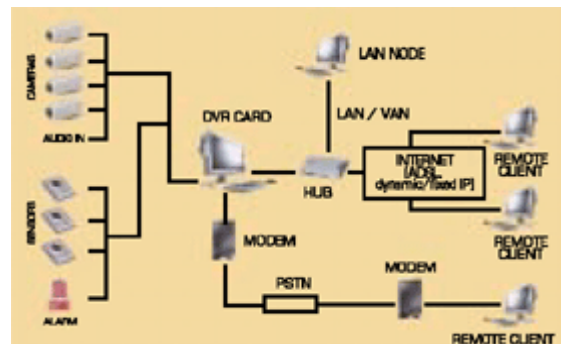
## Understand CCTV better

### Benefits of digital video recorder

The digital Video Recorder (DVR) provide and facilities digital format recording for surveillance purposes. This highly flexible product offers various option that enable the user to keep vigil, track and record events based on user defined rules .this can be done through a normal CCTV solution interfaced with a pc (computer) by simply adding a DVR card , or through a standalone system . DVR is a Digital Video Recorder system solution for remote and local video surveillance. DVR systems also allow you to view and record events through your camera over the Internet.

### Minimum PC Requirement

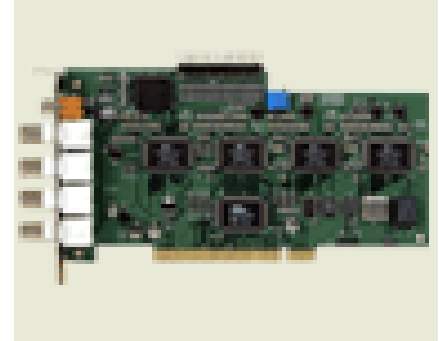
- PC for DVR application only
- CPU: Intel Pentium-IV or Higher For higher DVR card
- Intel Original Motherboard with Hyper Threading
- 256 MB of Ram or Higher (For batter speed)
- 80 GB HDD or Higher (For more Backup)



- 32/64 MB AGP VGA card (For better Display)
- 10/100 LAN Card (For LAN Connection)
- C.D Writer (for C.D Backup)
- Operating system Windows 98/2000/XP Professional

### **Benefit of DVR card (Digital Video Recorder)**

- PC based video surveillance & recording system
- Color & B/W Camera supported feature
- Monitoring (monitoring your cameras through computer)
- Recording (digital recoding in computer hard disk drive)
- Multi channel recording at a time (more then one camera recording in a single time)
- See the recording (more then one camera at a single time)
- Motion detection (see motion detection in your area)
- Sensor detection (see sensor detection in your area)
- Audio control (audio recording)
- Multi channel controlling (operate all camera in a single time)
- View over the 4 to 16 camera at a time
- All the operations through computer only



### **Benefit of DVR card for remote surveillance**

**Basic requirement:** For remote surveillance Direct Internet connection with static IP on DVR Server is required.

- Remote video control & surveillance via Internet
- See the view of your site through internet in any where in the world
- See the view of your site (Limited frame rate)
- View through DVR software
- Record the movement of the camera in remote site
- Secure password protected Secure IP address, secure site name,
- View of camera through software & without software over the internet

### **STANDALONE DIGITAL VIDEO RECORDER**

It is a device which user digital technology to manage video image in HDD. It includes features such as time setting for searching, best recording quality. It is the best device to replace TLVCR + Multiplexer and the best unit to cover 4 channels to 16 channel DVR installations.

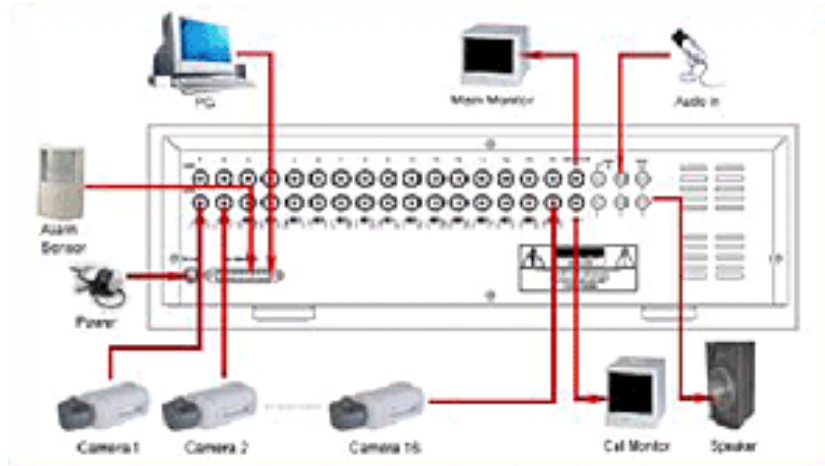
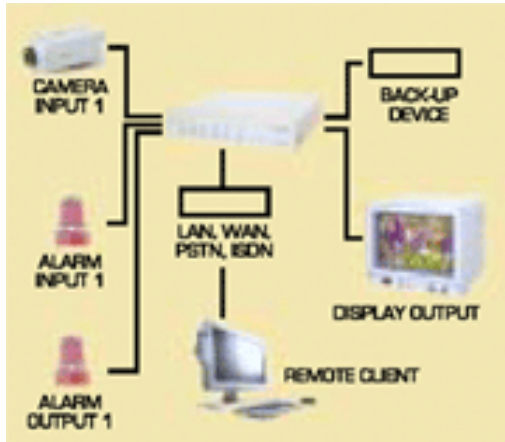
#### **Benefits:**

- More recording time than that of TLVCR
- Standalone Design with excellent reliability and user friendly operation.
- 16 channels Digital Multiplex Recorder is a device which uses digital technology to manage video image in HDD.
- It includes features such as timer setting for searching, nice recording quality, and fast /slow forward, reverse search and user friendly operations.
- It is an intelligent digital security recorder.



## Features:

- Stand-alone design
- Audio input
- Video quality adjustable: Best / High / Normal / Basic
- Support 4/8/12/16 Channels Multiplexing function
- 16 channels are swappable and each channel has independent title generator
- Support 2 removable HDD, IDE type (over 200 GB)
- Timer: Schedule record
- Quick Multiple search by date / time, alarm and full list
- Security password protection
- User friendly operation



For more information please visits <http://www.spashsecuritech.com>

## Gadget Corner

### Spy Ear

- Uses: 4 cell batteries (included)
- 3 different sized ear tips
- light weight allows it to fit comfortably into your ear.
- Adjustable volume control built into the unit.
- Over 20 hours of use before replacing batteries.
- Weighs: 3.2 g. (including batteries)



Imagine having a bionic ear that would allow you to secretly hear from great distances. Well now you can with our M7 Secret Agent Spy Ear. Its mini size, light weight and skin tone color allows for the wearer to hear from great distances without anyone even knowing you're wearing it. Its ultra-sensitive microphone allows for crisp, clear audio all in a discreet, tiny earpiece. The Secret Agent Spy Ear comes complete with its own volume control to allow the listener to gradually increase the distance hear wants to hear from. Simply put, this tiny, cutting-edge device will turn any average Joe into a secret agent. (Not intended as a medical device)

[http://gadgetuniverse.com/product\\_detail.asp?SKU=TS+242&MENU=SPY](http://gadgetuniverse.com/product_detail.asp?SKU=TS+242&MENU=SPY)

## Stun Gun/Pepper Spray

Evil lurks in the darkest places. In a van next to your car or behind a bush, an attack can happen unexpectedly. In some life-and-death situations, a split second is all you have. How do you defend yourself? The Scorpion 200 Spray and Stun Gun could mean saving your life because it gives you two powerful non-lethal defense mechanisms in one: Paralyze them with 200,000 volts (effective even through thick layer of clothes including leather) or blind them with pepper spray. The Scorpion's 200,000 volts of power will put an attacker down for nearly 30 min. Most standard stun guns only give you the power to momentarily disorient an attacker. When it comes to your personal safety, you never want to take chances. This is the most powerful non-lethal self-defense device on the market. It's solid and lightweight with a grip that accommodates all hands. The Scorpion is made in Eastern Europe and is standard gear for many top police agencies in some of the world's toughest neighborhoods. You or anyone you care about should never be alone without this. There's no safer feeling than owning a security device like the Scorpion. It gives you a fighting chance - Immediate self-defense and 100% reliability.



- Defensive spray has an effective range of 6 ft,
- paralyzing an attacker for approx. 10 min.
- No lasting mental or physical consequences
- Small, inconspicuous, always handy
- Safety switch ,gold-plated contacts
- Weight: 11.2 ounces, dimension: 6" x 2.25" x 1.25"  
([http://gadgetuniverse.com/product\\_detail.asp?SKU=TS+223](http://gadgetuniverse.com/product_detail.asp?SKU=TS+223) )

## Cell Phone Jammers



The Cell Phone Jammers are a necessity for cultured society because there is a growing demand for silence at places like hospital, libraries and Movie Theatres. Cell Phone Jammer is an instrument to prevent cellular phone from receiving and transmitting the mobile signals to the base station.

Mobile Phone Jammer can block all kinds of mobile phone's ringing sound at all places such as church, mosque, library, Movie Theater and meeting room. You just attach it at some place. And you will never hear the bell sound of mobile phone any more. Antenna e-mobile solutions offer a wide variety of Cell Phone Jammer to block phone signals like Room Jammer, Mini Power Jammer, Low Power Jammer, High Power Jammer and Pocket Jammer.

- **Camera wi-fi Jammer:** Camera wi-fi Jammer utilizes unique and intelligent technique that interferes the 2.4GHz signal of wireless spy camera, ensure safety environment free from wireless spy camera and body bug.
- **Portable Tri - Band Jammer:** is the sophisticated Digital Cellular Mobile Phone Jammer off its class, a mobile device to help you keep away from noise or disturbance of cellular phone cells.

- **Pocket Jammer:** Looks just like your mobile phone, which allows you to carry it anywhere without others awareness. Disturbance of cellular phone cells. Looks like old Ericsson T18 but with 2 antennae. Press switch on the side and 5 seconds later area of 8m-10m radius is jammed on both 900 MHz and 1800 MHz. Comes with desktop charger & can be operated almost anywhere. Will give the user both security from Ghost Phones and maybe some peace and quiet whilst out and about.
- **Room Jammer:** to prevent cellular phone from receiving & transmitting the mobile signals to the base station (Especially for Single Room).
- **Super High Power Jammer:** Suitable for Government Offices and Boardrooms, Prisons, Army.

## TO WEAR OR NOT TO WEAR: THAT IS NOT THE QUESTION... HELMET RESEARCH

Courtesy: Prof. K. Ganapathy MS (Neuro) MNAMS (Neuro) FACS FICS Ph.D, Secretary of the Asian Australasian Society of Neurological Surgery (the largest continental society of neurosurgeons with 28 countries as its members) from 1999.

Helmets have not suddenly arrived At least 50 years of research in various fields have led to this development. Helmets have been designed based on cadaver studies, animal experiments, computer simulation studies, biomechanical studies and study of crash injury patterns. Sir Huge Cairns was the first person to understand the role of helmets in preventing severe head injuries and deaths. Before a helmet is certified it has to pass through four main tests namely:

1. Shock absorption – Cushioning capabilities of the padding test.
2. Resistance to penetration-to make sure the shell of the helmet is strong.
3. Strength of the retention system-to test the stretching of the chin strap.
4. Rigidity-to test the structural and safety performance. **Most injured motorcyclists who do not wear helmets report that they did not expect to be injured;** yet 40% of the head injury-associated deaths were ascribed to the motorcyclist's loss of control, not, apparently, to some action of the driver of another motor vehicle.
5. Studies have shown that when helmet use is voluntary, it is used by 40-50 %; **when it is compulsory it is almost 100 %;** no other approach has succeeded in raising helmet use to anything close to these levels.

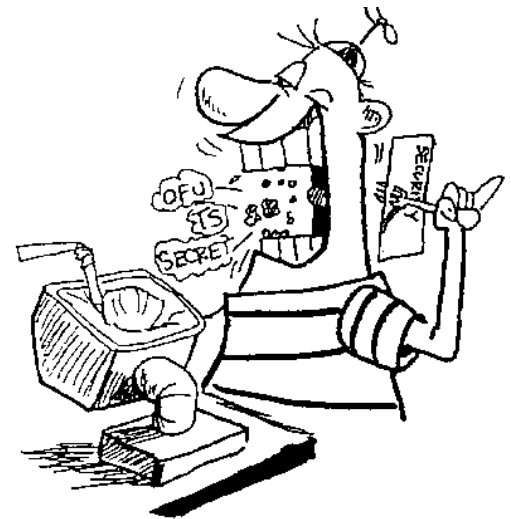
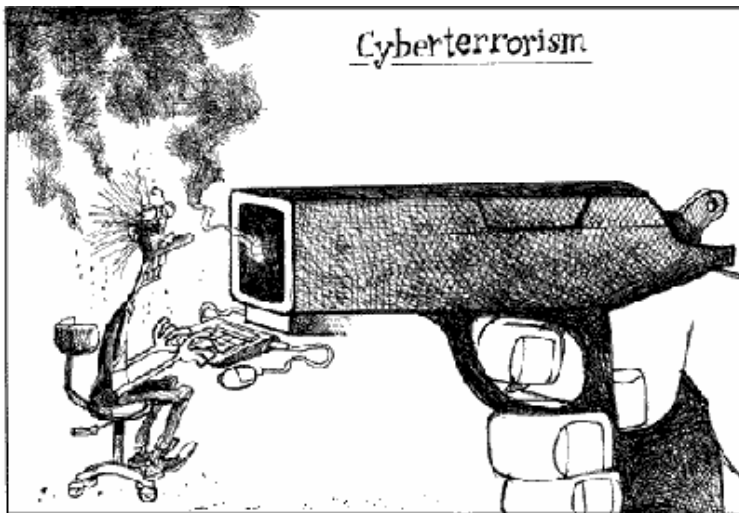
### How is a helmet useful?

- The brain is the only organ in the body with its own safe deposit vault.
- When a major impact occurs, the skull however thick cannot absorb the entire force! The impact only slightly attenuated is still transmitted to the underlying brain. When direct injury occurs, the damages to brain are very serious - often irreversible.
- A helmet considerably increases the thickness of the container. The blow gets absorbed, spreading the impact over a larger region. The intensity at any one point is considerably diminished. The time lag also reduces the ultimate intensity reaching the brain through the helmet, hair, skin, skull and the meninges of the brain

### REASONS FOR NOT WEARING HELMETS

- “I am a good driver. How can an accident ever happen to me “?
- “But, it is not compulsory “

- **“I use the scooter for very short distances”** (If only the bus driver knew this)
- **“Where do I keep it“** (Where there is a will there is a way )
- **“I may loose my hair“**(How many bald motor cyclists does one see?)
- **“It is so hot and uncomfortable“**(If only you knew how much hotter it can get without one!!!)
- **“I may get headache and neck pain”** ( at least you will still have a head )
- **“Neck & Spinal Cord injuries may increase , reduced hearing &, vision, increased fatigue & overconfidence** ( Detailed studies have shown that this is not true)
- **“Ungainly appendage on a beautiful feminine head”** (and we talk about equality and women’s liberation!)
- **“What is to be will be”** (Alas the bereaved family does not subscribe to this oriental fatalism)
- **“What about the family”** (Buy three for the price of two?)
- **“I have just not had the time”** ( Time and tide wait for no Man)
- **“A helmet is expensive”** ( Obviously the contents are not )
- **Adventure, recklessness, misplaced enthusiasm particularly in the young – helmets worn only by “sissies”** ( Knowledge is learning from one’s known mistakes, wisdom is learning from another’s mistakes – alas self acquired knowledge may be too late )
- **“What about protecting other body parts”** (death & major disability is due to brain injury – protecting the brain is easy, pragmatic and effective)



**Don't Transmit  
Classified Information  
Over An Unsecure System.**